



# KMD-705M\_J(Z)

## MODULAR CRESCENT CUBER

KMD-705M\_J(Z)  
08/03/23  
Item # 13684

W x D x H  
30" x 24" x 26"



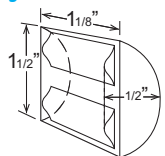
**KMD-705MAJ**  
Air-Cooled model shown  
on optional bin B-500

**KMD-705MWJ**  
Water-Cooled

**KMD-705MRJZ**  
Remote Air-Cooled



### KMEdge™ Cube Dimensions\*



\* approximate size in inches, image not to scale



Item #: \_\_\_\_\_  
Project: \_\_\_\_\_  
Qty: \_\_\_\_\_  
AIA#: \_\_\_\_\_

## Features

- ▶ Individual crescent cube
- ▶ Optimized for use with ice and beverage dispenser
- ▶ Simple one-hour cleaning CLEANASSIST
- ▶ Factory-installed ultrasonic bin control can be adjusted on site

- Durable construction with fewer parts
- Self-diagnostic programming automatically adjusts to changing conditions
- Snap fit parts for easy cleaning
- Stainless steel double-sided evaporator
- CycleSaver™ design
- EverCheck™ alert system
- Removable air filters (air-cooled model only)
- R-404A Refrigerant

### Available on Bins:

B-250SF    B-700SF    B-1150SS    B-1650SS\*  
B-500SF    B-800SF    B-1300SS    DB-200H  
BD-500SF    B-900SF    B-1500SS\*\*    DM-200B

Top kit may be required. See Bin Spec Sheets. \*Two unit application only.

### Warranty:

3 Year Parts & Labor on entire machine. 5 Year Parts & Labor on Evaporator. 5 Year Parts on Compressor; air-cooled condenser coil. Valid in United States, Canada, Puerto Rico and U.S. Territories. Contact factory for warranty in other countries.

Shipping: (LxWxH) 33.75" x 33.25" X 32"    Volume: 20.78ft<sup>3</sup>

Condenser	Model	ICE PRODUCTION		WATER USAGE		ELECTRICAL						
		Air / Water Temp Lbs. per 24 hours 70°/50°F    90°/70°F	Potable Gal. per 100 lbs. 90°/70°F	Condenser Gal. per 100 lbs. 90°/70°F	kWh Used per 100 lbs. 90°/70°F	Min. Circuit/ Max. Fuse Size	Amperage	Voltage	Circuit Wires (including ground)	Heat Rejection BTU/hr.	Refrigerant Charge Amount	Net / Ship Weight (lbs.)
Air	KMD-705MAJ	721    620	22.0	N/A	4.75	20A	14.3A	115V/60/1	3	9,400	2 lb. 12.1 oz.	180 / 200
Water	KMD-705MWJ	773    720	22.5	93	3.8	20A	13.0A	115V/60/1	3	9,500	1 lb. 11.3 oz.	180 / 200
Remote	KMD-705MRJZ	727    670	21.0	N/A	4.40	20A	13.7A	115V/60/1	3	9,500	6 lb. 12.3 oz. 10 lb. 11.1 oz. <sup>†</sup>	180 / 200

<sup>†</sup> (with condenser)

## Operating Limits

- Ambient Temp Range    45 - 100°F
- Water Temp Range    45 - 90°F
- Water Pressure    10 - 113 PSIG
- Voltage Range    104 - 127V
- If GFCI is required, a GFCI breaker MUST be used in lieu of GFCI receptacle

## Service

- Panels easily removed and all components accessible for service.
- Removable/cleanable air filters. (Air-cooled model only)
- Allow 6" (15 cm) clearance at rear, sides, and top for proper air circulation and ease of maintenance/service.

## Plumbing

- Icemaker Water Supply Line: Min. 1/4" Nominal ID Copper Water Tubing or Equivalent
- Icemaker Drain Line: Min. 3/4" Nominal ID Hard Pipe or Equivalent
- Water-Cooled Model (Lines Must Be Independent of Icemaker)
- Condenser Water Supply Line: Minimum 1/4" Nominal ID Copper Water Tubing or Equivalent
- Condenser Drain/Return Line: Minimum 1/4" Nominal ID Hard Pipe (open drain system) or Copper Water Tubing (closed loop system) or Equivalent

## Accessories

- HS-2148, DB Top Kit
- HS-5562, Remote Monitoring System
- HS-5283, EcO Ice Filter
- HS-5734, Side-Breathing Kit
- H9320-51, Single Water Filter Kit

Hoshizaki reserves the right to change specifications without notice.



# KMD-705M\_J(Z)

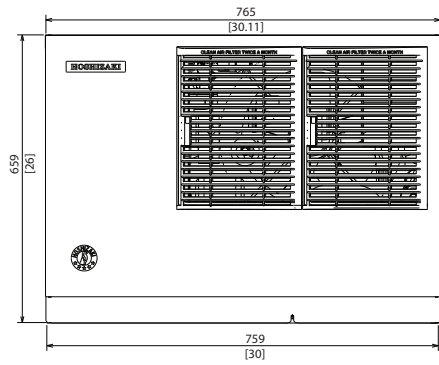
## MODULAR CRESCENT CUBER

KMD-705M\_J(Z)

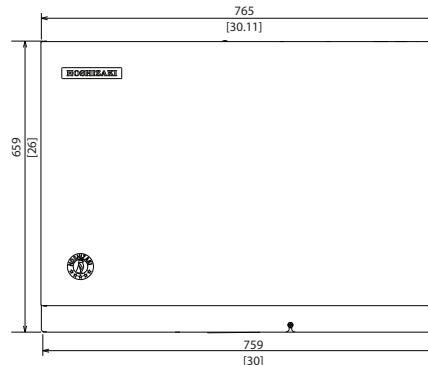
08/03/23

Item # 13684

FRONT VIEW



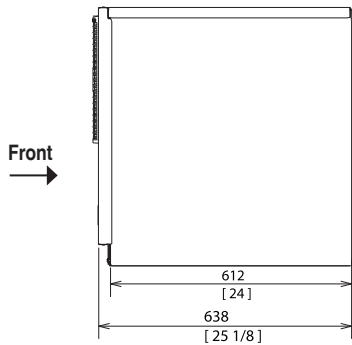
**AIR-COOLED**



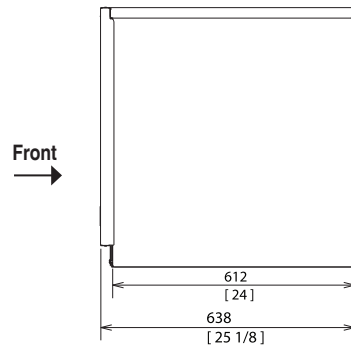
**WATER-COOLED / REMOTE AIR-COOLED**

mm  
inch

SIDE VIEW

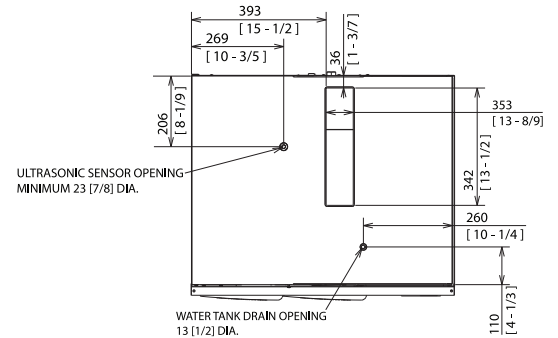


**AIR-COOLED**



**WATER-COOLED / REMOTE AIR-COOLED**

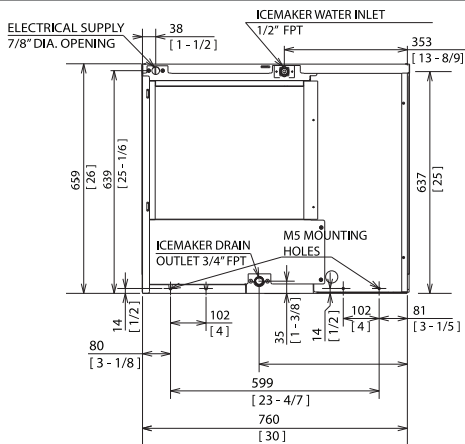
BOTTOM VIEW



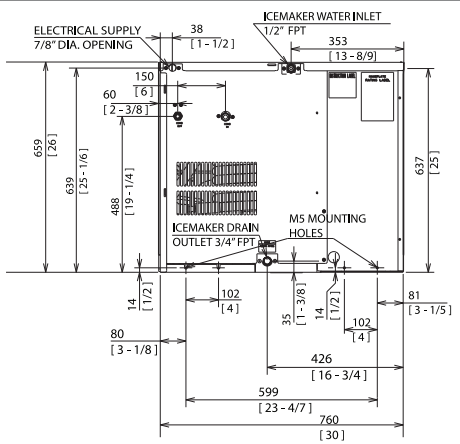
**AIR-COOLED / WATER-COOLED / REMOTE AIR-COOLED**

REAR VIEW

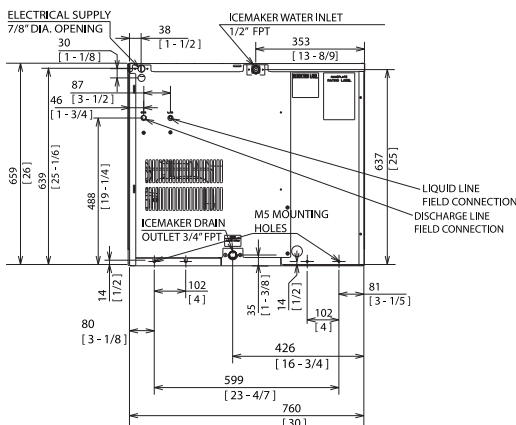
**AIR-COOLED**



**WATER-COOLED**



**REMOTE AIR-COOLED**



**REMOTE CONDENSER**  
For Use with KMD-705MRJZ

**URC-9FZ Remote Condenser (Sold Separately)**  
(W x D x H) 35<sup>11/16</sup> x 14<sup>1/16</sup> x 36<sup>1/2</sup>

- Brazed Line Sets (Sold Separately)**
- 25' HS-5604
  - 35' HS-5605
  - 55' HS-5606

Voltage supply for the URC Remote Condenser is supplied from the Ice Maker. No additional circuit is required.

