



# KMD-355/505M\_J(Z)

MODULAR CRESCENT CUBER

KMD-355/505M\_J(Z)  
03/17/25  
Item #13683



**W x D x H**  
30" x 24" x 22"

### Air-Cooled

KMD-355MAJ  
KMD-505MAJ

### Water-Cooled

KMD-355MWJ  
KMD-505MWJ

### Remote Air-Cooled

KMD-505MRJZ



Air-cooled model shown on Lancer Dispenser

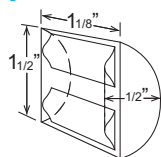


Air-cooled model shown on DB-200H Bin



Air-cooled model shown on BD-500SF

### KMEdge™ Cube Dimensions\*






\* approximate size in inches, image not to scale



Item #: \_\_\_\_\_  
Project: \_\_\_\_\_  
Qty: \_\_\_\_\_  
AIA#: \_\_\_\_\_

## Features

- ▶ Individual crescent cube
  - ▶ Optimized for use with ice and beverage dispenser
  - ▶ Simple one-hour cleaning process 
  - ▶ Factory-installed ultrasonic bin control can be adjusted on site
- Durable construction with fewer parts
  - Self-diagnostic programming automatically adjusts to changing conditions
  - Snap fit parts for easy cleaning
  - Stainless steel double-sided evaporator
  - CycleSaver™ design 
  - EverCheck™ alert system 
  - Removable air filters (air-cooled model only)
  - R-404A Refrigerant

### Available on Bins:

**B-250SF** **BD-500SF\*\*** **B-800SF** **B-1150SS** **DB-130H**  
**B-500SF** **B-700SF** **B-900SF** **B-1300SS** **DB-200H**

Top kit may be required. See bin spec sheets. \*\*BD bins recommended

### Warranty:

3 Year Parts & Labor on entire machine. 5 Year Parts & Labor on Evaporator. 5 Year Parts on Compressor; air-cooled condenser coil. Valid in United States, Canada, Puerto Rico and U.S. Territories. Contact factory for warranty in other countries.

Shipping: (LxWxH) 33.75" x 33.25" X 28" Volume: 18.18ft<sup>3</sup>

Condenser	Model	ICE PRODUCTION		WATER USAGE		ELECTRICAL							
		Air / Water Temp Lbs. per 24 hours 70°/50°F 90°/70°F		Potable Gal. per 100 lbs. 90°/70°F	Condenser Gal. per 100 lbs. 90°/70°F	kWh Used per 100 lbs. 90°/70°F	Min. Circuit/ Max. Fuse Size	Amperage	Voltage	Circuit Wires (including ground)	Heat Rejection BTU/hr.	Refrigerant Charge Amount	Net / Ship Weight (lbs.)
Air	KMD-355MAJ	395	352	26.5	N/A	5.80	15A	8.8A	115V/60/1	3	5,100	1 lb. 9.6 oz.	159 / 179
Water	KMD-355MWJ	395	385	34.5	155	4.40	15A	7.4A	115V/60/1	3	6,000	0 lb. 15 oz.	159 / 179
Air	KMD-505MAJ	500	415	25.0	N/A	5.55	20A	10.7A	115V/60/1	3	6,000	1 lb. 8.7 oz.	156 / 176
Water	KMD-505MWJ	592	555	25.0	178	4.15	20A	11A	115V/60/1	3	8,600	15.9 oz.	156 / 176
Remote	KMD-505MRJZ	560	490	25.0	N/A	5.70	20A	12.4A	115V/60/1	3	7,900	2 lb. 13.9 oz. (4 lb. 11.8 oz.*)	156 / 176

\*(with condenser)

## Operating Limits

- Ambient Temp Range 45 - 100°F
- Water Temp Range 45 - 90°F
- Water Pressure 10 - 113 PSIG
- Voltage Range 104 - 127V
- If GFCI is required, a GFCI breaker MUST be used in lieu of GFCI receptacle

## Service

- Panels easily removed and all components accessible for service.
- Removable/cleanable air filters. (Air-cooled model only)
- Allow 6" (15 cm) clearance at rear, sides, and top for proper air circulation and ease of maintenance/service.

## Plumbing

- Icemaker Water Supply Line: Min. 1/4" Nominal ID Copper Water Tubing or Equivalent
- Icemaker Drain Line: Min. 3/4" Nominal ID Hard Pipe or Equivalent
- Water-Cooled Model (Lines Must Be Independent of Icemaker)
- Condenser Water Supply Line: Minimum 1/4" Nominal ID Copper Water Tubing or Equivalent
- Condenser Drain/Return Line: Minimum 1/4" Nominal ID Hard Pipe (open drain system) or Copper Water Tubing (closed loop system) or Equivalent

## Accessories

- HS-2148, DB Top Kit
- HS-5562, Remote Monitoring System
- HS-5283, Eco Ice Filter
- HS-5734, Side-Breathing Kit
- H9320-51, Single Water Filter Kit

Hoshizaki reserves the right to change specifications without notice.



# KMD-355/505M\_J(Z)

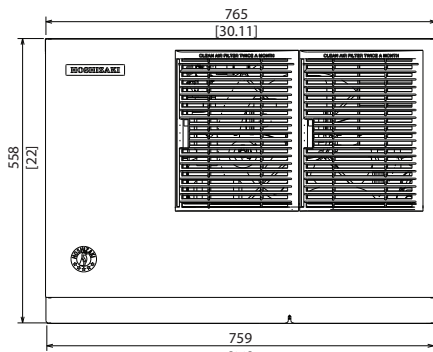
## MODULAR CRESCENT CUBER

KMD-355/505M\_J(Z)

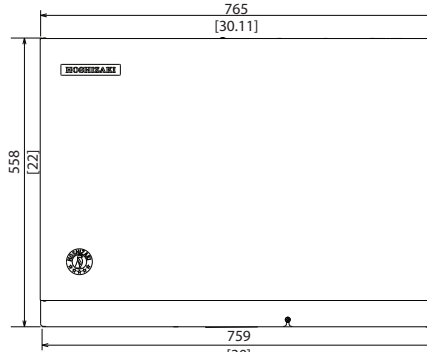
03/17/25

Item #13683

FRONT VIEW



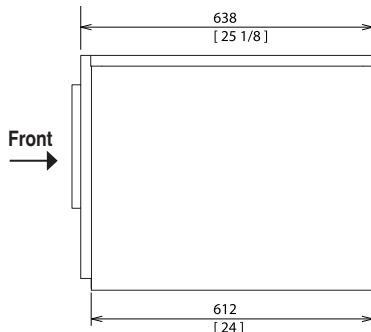
**AIR-COOLED**



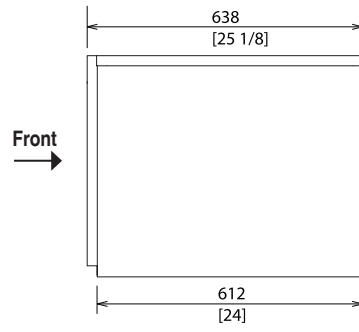
**WATER-COOLED / REMOTE AIR-COOLED**

mm  
inch

SIDE VIEW

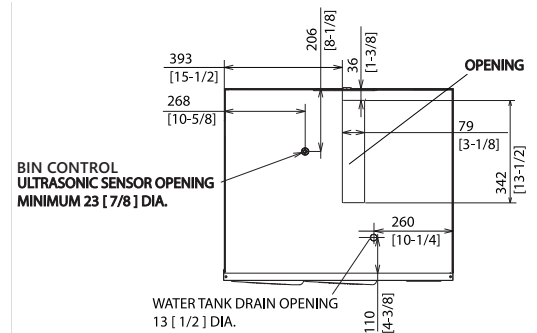


**AIR-COOLED**



**WATER-COOLED / REMOTE AIR-COOLED**

BOTTOM VIEW

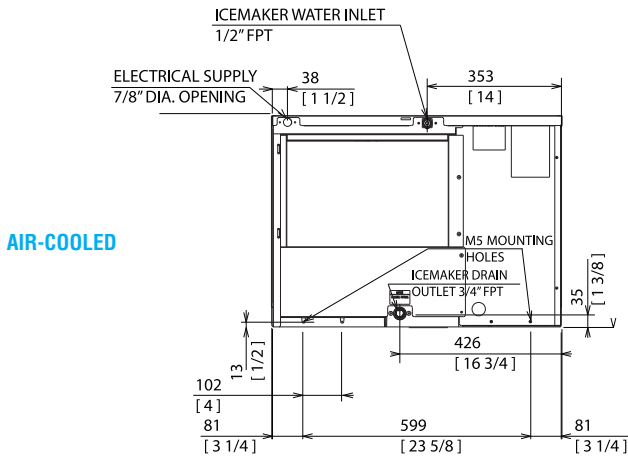


BIN CONTROL  
ULTRASONIC SENSOR OPENING  
MINIMUM 23 [7/8] DIA.

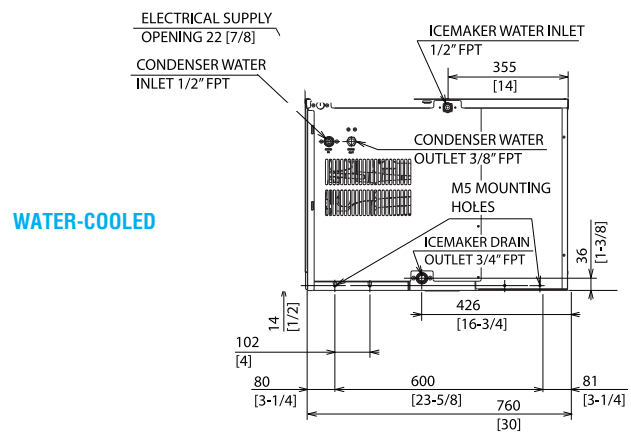
WATER TANK DRAIN OPENING  
13 [1/2] DIA.

**AIR-COOLED / WATER-COOLED / REMOTE AIR-COOLED**

REAR VIEW

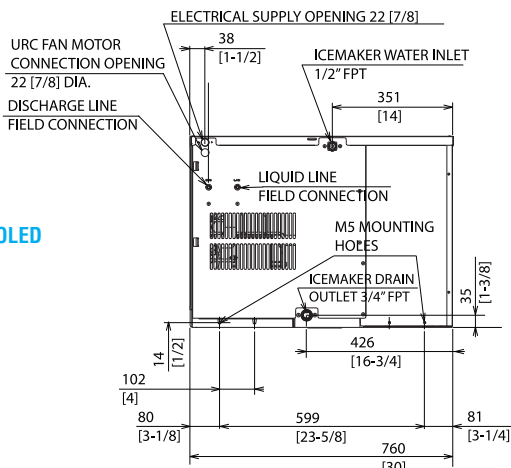


**AIR-COOLED**



**WATER-COOLED**

**REMOTE AIR-COOLED**



**REMOTE CONDENSER**  
For Use with KMD-505MRJZ

**URC-5FZ Remote Condenser (Sold Separately)**  
(W x D x H) 21<sup>13/16</sup> x 14<sup>1/16</sup> x 32<sup>13/16</sup>

**Brazed Line Sets**  
(Sold Separately)  
25' HS-5587  
35' HS-5588

Voltage supply for ice  
maker and condensing  
unit are separate.

